

6036-BUS-2001

> G-Rail CAN BUS repeater

Description

The G-RAIL CAN-BUS repeater amplifies CAN BUS signals and transmits them to another defined CAN BUS system, simultaneously checking for signal errors. The repeater is required when expanding G-Rail CAN-BUS systems thereby exceeding a total of 32 motor units and/or a total cable length of 100 metres.

Connecting the repeater

The repeater has two cables with RJ45 connectors:

- a short cable (50 cm) with red connector.
- a longer cable (100 cm) with standard RJ45 connector.

Power is supplied by a motor unit via the 'red' connector cable (RJ45 pin definition type E), the length of this cable should not be altered. The red connector is connected to one of the *end motors* of a defined BUS system.



h x w x d = 158 x 95 x 42 mm

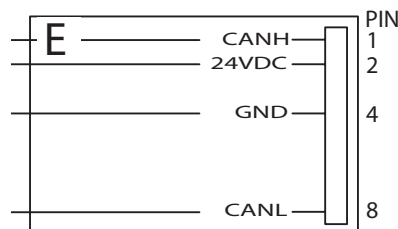


The red connector must be inserted directly into an RJ45 socket on the underside of a motor unit. If no RJ45 socket is currently available, existing connectors can be re-connected via a splitter freeing an RJ45 socket.

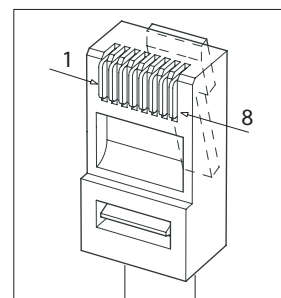
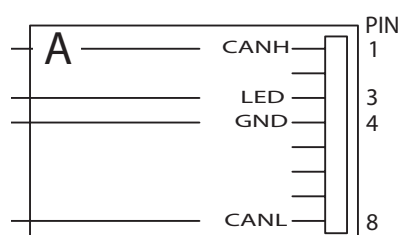
Please pay attention to the pin definition (see below) when using a splitter.

The longer RJ45 cable (RJ45 pin definition type A) of the repeater is connected to one of the motor units in the next defined BUS system. Again, the connector should be connected directly to the motor unit. Where necessary use a splitter to make an RJ45 motor socket available where both are currently occupied.

Pin definition, for connecting to existing BUS-system (ref. type E)



Pin definition, for connecting to expansion BUS-system (ref. type A)



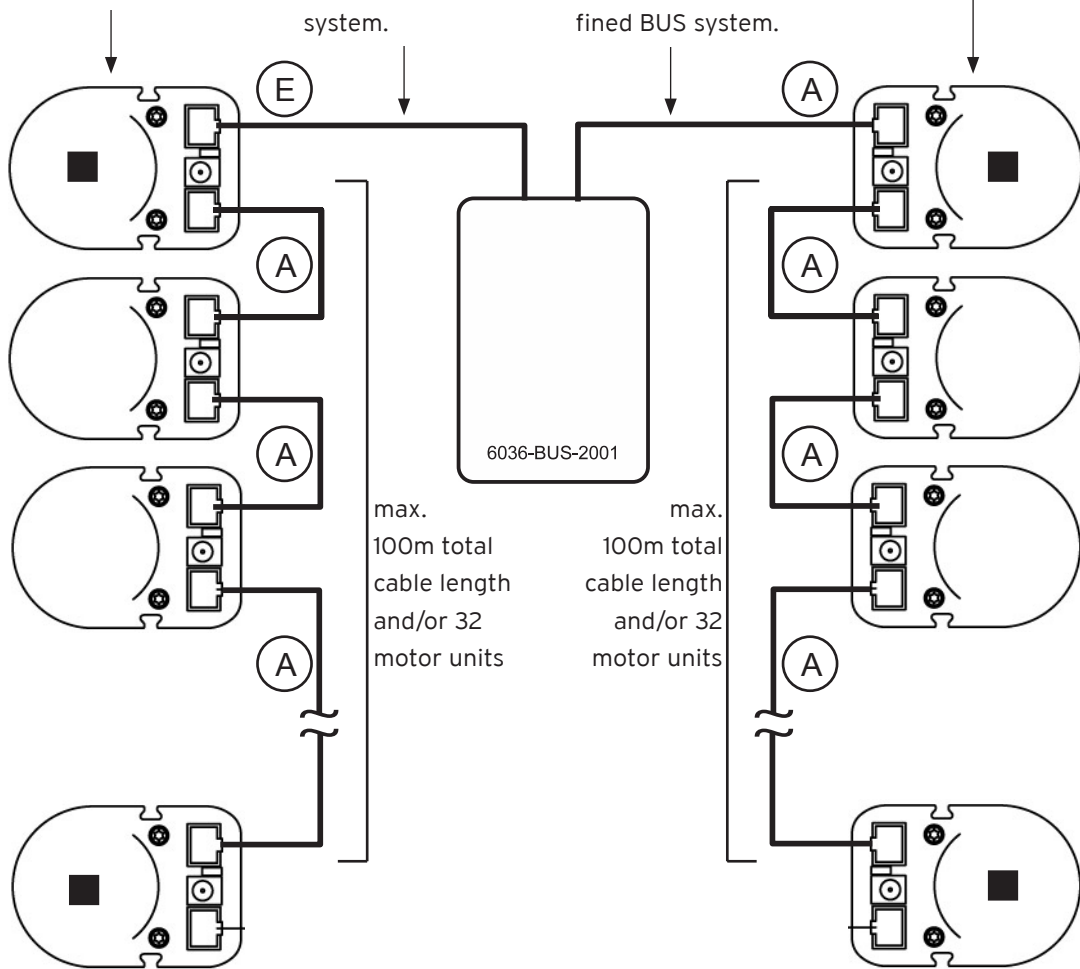
Example

1st defined BUS system with two motor units set as *end motors*. (BUS system max 32 motor units and/or 100m total cable length)

Standard 50 cm. The length of this cable cannot be altered. This length does not add to the total cable length of the 1st defined BUS system.

Standard 100 cm. This single cable can be made to length up to 100m. This extra length does not add to the total cable length of the 2nd defined BUS system.

2nd defined BUS system with two motor units set as *end motors*. (BUS system max 32 motor units and/or 100m total cable length)



max. 100m total cable length and/or 32 motor units

max. 100m total cable length and/or 32 motor units

(A) (E) = Connector type on cable ■ = end motor

Please refer to the complete 6200 manual (provided with each motor set) for more detailed information on programming and connecting G-Rail BUS systems.